

EUTELSAT APPROVED ANTENNAS

April 2026

WHY THIS PRESENTATION?

Choosing the Right Terminal for Eutelsat Services

clients are unsure which terminal to use. This guide provides key recommendations and a benchmark of Eutelsat-approved antennas to help reduce interference.

What's Inside

- Antennas grouped by categories, according to the antenna type: transportable, fixed, maritime, interactive terminals, aircraft,
- and to the service type: Generic or specific to “Broadband” meaning here Eutelsat managed services like KONNECT or ADVANCE).
- The Classification of the antenna (Type Approved or Characterized) is given on every page.

This book is an overview of approved antennas. The details can be found online on www.eutelsat.com:
<https://www.eutelsat.com/satellite-network/accessing-space-segment#item-602>

All the antennas are approved according to ESOG 120, verifying the conformity to EESS502 (or EESS503 for Interactive Satellite Terminals).

https://www.eutelsat.com/sites/default/files/2025-08/DOC_Access-Space-Sgmnt_ESOG120_8_rev2_20240627.pdf).

The EESS books gather the Earth Station minimum technical and operational requirements to be approved “standard”.

https://www.eutelsat.com/sites/default/files/2025-08/DOC_Access-Space_Sgmnt_EESS-502_0722.pdf;

https://www.eutelsat.com/sites/default/files/2025-08/DOC_Access-Space_Sgmnt_EESS-503_0219.pdf.

IMPORTANT NOTE



We have a more comprehensive internal database with additional antennas which cannot be formally certified, so they are not in the public list BUT can be used in some circumstances and under specific operational conditions.

Please contact the Type Approval team for any additional information



Typeapproval@eutelsat.com

WEB LINKS TO THE DOCUMENTATION

<https://www.eutelsat.com/satellite-network/accessing-space-segment#item-602>

GENERIC (WHOLE FLEET):

1. TYPE APPROVALS - GENERIC

2. CHARACTERIZATIONS - GENERIC

EUTELSAT CERTIFIED ANTENNAS

OVERVIEW

TYPE APPROVED ANTENNAS & VSATS ●

CHARACTERIZED ANTENNAS & VSATS ●

EUTELSAT BROADBAND VSAT SERVICES

INTERACTIVE TERMINALS

DEDICATED TO SPECIFIC SERVICES:

3. Eutelsat Broadband Services (KONNECT & ADVANCE) -
Type Approvals and Characterizations

4. Eutelsat Interactive Services
Type Approvals and Characterizations

EUTELSAT CERTIFIED ANTENNAS

OVERVIEW

TYPE APPROVED ANTENNAS & VSATS

CHARACTERIZED ANTENNAS & VSATS

EUTELSAT BROADBAND VSAT SERVICES ●

INTERACTIVE TERMINALS ●

Note: the antennas which are approved for Generic use, may be used in specific Broadband services as far the BUC and LNB would be adapted to KONNECT or ADVANCE modem.

SUMMARY

1. **Transportable / Drive-Away**

- a. Generic
- b. Broadband

2. **Transportable / Fly-Away**

- a. Generic
- b. Broadband

3. **VSAT - Fixed antennas**

- a. Generic
- b. Broadband

4. **Maritime antennas**

- a. Generic
- b. Broadband

5. **Aircraft antennas**

6. **Interactive Satellite Terminals**



TRANSPORTABLE - GENERIC **Drive-away antennas**

Transportable - GENERIC

Drive-away antennas / DSNG

90 DR

Manufacturer : MAEC-VISIOSAT

Tx Frequency Band: 13.75 – 14.50 GHz

Rx Frequency Band : 10.70 – 12.75 GHz

Tx Gain : 40.1 dBi

Diameter : 0.9 m

Type Approved (EA-A025)

No available picture

Transportable - GENERIC

Drive-away antennas / DSNG

10Ku

Manufacturer : ERA Technology Limited
Tx Frequency Band: 14.00 – 14.50 GHz
Rx Frequency Band : 10.95 – 12.75 GHz
Tx Gain : 42.8 dBi
Diameter : 1 m
Type Approved (EA-A005)



Transportable - GENERIC

Drive-away antennas / DSNG

10KuS

Manufacturer : ERA Technology Limited
Tx Frequency Band: 13.75 – 14.50 GHz
Rx Frequency Band : 10.70 – 12.75 GHz
Tx Gain : 42.7 dBi
Diameter : 1 m
Type Approved (EA-A022)



Transportable - GENERIC

Drive-away antennas / DSNG

EXPLORER 8100 Ku – **END OF LIFE**

Manufacturer : Thrane & Thrane A/S trading as
COBHAM Satcom

Tx Frequency Band: 13.75 – 14.50 GHz

Rx Frequency Band : 10.70 – 12.75 GHz

Tx Gain : 41.4 dBi

G/T : 19.4 dB/K

HPA max : BUC 50W maximum

Diameter : 1 m

Characterized CH-DOP-COB-100-524



Transportable - GENERIC

Drive-away antennas / DSNG

Cobham EXPLORER 7100 MB KU

Manufacturer : COBHAM

Tx Frequency Band: 13.75 - 14.50 GHz

Rx Frequency Band : 10.70 - 12.75 GHz

Tx Gain : 41.9 dBi

G/T : 19.4 dB/K

HPA max : 40W maximum

Diameter : 1 m

Characterized CH-DOP-COB-100-526



Transportable - GENERIC

Drive-away antennas / DSNG

Newsift 120 CF – END OF LIFE

Manufacturer : VISLINK International Ltd

Tx Frequency Band: 13.75 – 14.50 GHz

Rx Frequency Band : 10.70 - 12.75 GHz

Tx Gain : 43.4 dBi

HPA max : 400W maximum

Diameter : 1.2 m

Type Approved (EA-A011)



Transportable - GENERIC

Drive-away antennas / DSNG

120 DR

Manufacturer : MAEC-VISIOSAT

Tx Frequency Band: 13.75 – 14.50 GHz

Rx Frequency Band : 10.70 – 12.75 GHz

Tx Gain : 42.7 dBi

HPA max : BUC 3W maximum

Diameter : 1.2 m

Type Approved (EA-A028)



Transportable - GENERIC

Drive-away antennas / DSNG

C-COM iNetVu 1201 (2 ports feed)

Manufacturer : C-COM Satellite Systems

Tx Frequency Band: 14.00 – 14.50 GHz

Rx Frequency Band : 10.70 – 12.75 GHz

Tx Gain : 43.8 dBi

HPA max : 40W

Diameter : 1.2 m

Characterized CH-DOP-CCO-120-510



Transportable - GENERIC

Drive-away antennas / DSNG

12Ku Diamond

Approved with Cobham/ERA reflector

Manufacturer : CTS – Cobham Technical Services

Tx Frequency Band: 13.75 – 14.50 GHz

Rx Frequency Band : 10.70 – 12.75 GHz

Tx Gain : 44.0 dBi

Diameter : 1.2 m

Type Approved (EA-A017)



Transportable - GENERIC

Drive-away antennas / DSNG

SkyRay MAS 1500

Manufacturer : ND SatCom GmbH

Tx Frequency Band: 13.75 – 14.50 GHz

Rx Frequency Band : 10.95 – 12.75 GHz

Tx Gain : 43.8 dBi

G/T : 23.9 dB/K

HPA max : 400W maximum

Diameter : 1.2 m

Characterized CH-DOP-NDS-120-513



Transportable - GENERIC

Drive-away antennas / DSNG

SkyRay Compact 1500 Plus

Manufacturer : ND SatCom GmbH

Tx Frequency Band: 13.75 – 14.50 GHz

Rx Frequency Band : 10.95 – 12.75 GHz

Tx Gain : 43.8 dBi

G/T : 23.9 dB/K

HPA max : 400W maximum

Diameter : 1.2 m

Characterized CH-DOP-NDS-120-514



Transportable - GENERIC

Drive-away antennas / DSNG

SkyRay Compact 1500

Manufacturer : ND SatCom GmbH

Tx Frequency Band: 13.75 – 14.50 GHz

Rx Frequency Band : 10.95 – 12.75 GHz

Tx Gain : 43.8 dBi

G/T : 23.9 dB/K

HPA max : 400W maximum

Diameter : 1.2 m

Characterized CH-DOP-NDS-120-515



Transportable - GENERIC

Drive-away antennas / DSNG

D120M

Manufacturer : PROSAT SOLUTIONS GmbH

Tx Frequency Band: 13.75 – 14.50 GHz

Rx Frequency Band : 10.70 – 12.75 GHz

Tx Gain : 43.6 dBi

G/T : 22.0 dB/K

HPA max : 400W

Diameter : 1.2 m

Characterized CH-DOP-PST-120-517



Transportable - GENERIC

Drive-away antennas / DSNG

SVS SDC120

Manufacturer : SVS SATELLITE SYSTEMS

Tx Frequency Band: 13.75 – 14.50 GHz

Rx Frequency Band : 10.70 – 12.75 GHz

Tx Gain : 43.6 dBi

G/T : 22.0 dB/K

HPA max : 400W

Diameter : 1.2 m

Characterized CH-DOP-SVS-120-522



Transportable - GENERIC

Drive-away antennas / DSNG

EXPLORER 8120 – END OF LIFE

Manufacturer : Thrane & Thrane A/S trading as
COBHAM Satcom

Tx Frequency Band: 13.75 – 14.50 GHz

Rx Frequency Band : 10.70 – 12.75 GHz

Tx Gain : 42.9 dBi

G/T : 20.8 dB/K

HPA max : BUC 50W maximum

Diameter : 1.2 m

Characterized CH-DOP-COB-120-525



Transportable - GENERIC

Drive-away antennas / DSNG

FlyDrive 120 – **END OF LIFE**

Manufacturer : Vislink Communications Ltd

Tx Frequency Band: 13.75 – 14.50 GHz

Rx Frequency Band : 10.70 – 12.75 GHz

Tx Gain : 43.1 dBi

G/T : 17.7 dB/K

HPA max : 400W maximum

Diameter : 1.2 m

Characterized CH-FLY-VSL-120-527



Transportable - GENERIC

Drive-away antennas / DSNG

SMP 125 DA

Manufacturer : Satmission AB

Tx Frequency Band: 13.75 – 14.50 GHz

Rx Frequency Band : 10.70 - 12.75 GHz

Tx Gain : 44.0 dBi

G/T : 20.7 dB/K

HPA max : 400W

Diameter : 1.20m H x 1.25m V

Characterized CH-DOP-SMN-120-519



Transportable - GENERIC

Drive-away antennas / DSNG

Newsift 150 CF – **END OF LIFE**

Manufacturer : VISLINK International Ltd

Tx Frequency Band: 13.75 – 14.50 GHz

Rx Frequency Band : 10.70 - 12.75 GHz

Tx Gain : 45.3 dBi

HPA max : 400W maximum

Diameter : 1.5 m

Type Approved (EA-A012)



Transportable - GENERIC

Drive-away antennas / DSNG

ERA 15Ku(S)

Manufacturer : ERA Technology Limited

Tx Frequency Band: 13.75 – 14.50 GHz

Rx Frequency Band : 10.95 – 12.75 GHz

Tx Gain : 46 dBi

Diameter : 1.5 m

Type Approved (EA-A004)



Transportable - GENERIC

Drive-away antennas / DSNG

1.5 – meter SMK-LT

Manufacturer : Vertex RSI

Tx Frequency Band: 13.75 – 14.50 GHz

Rx Frequency Band : 10.70 – 12.75 GHz

Tx Gain : 45.7 dBi

Diameter : 1.5 m

Type Approved (EA-A016)



Transportable - GENERIC

Drive-away antennas / DSNG

PDA 150 Drive News

Manufacturer : PALS

Tx Frequency Band: 13.75 – 14.50 GHz

Rx Frequency Band : 10.70 – 12.75 GHz

Tx Gain : 43.9 dBi

G/T : 23 dB/K

HPA max : 400W

Diameter : 1.5m x 1.35m

Characterized CH-DOP-PAL-150-511



Transportable - GENERIC

Drive-away antennas / DSNG

RM150

Manufacturer : Holkirk Communications Ltd

Tx Frequency Band: 13.75 – 14.50 GHz

Rx Frequency Band : 10.70 – 12.75 GHz

Tx Gain : 45.0 dBi

G/T : 21.5 dB/K

HPA max : 400W maximum

Diameter : 1.5 m

Characterized CH-DOP-HOL-150-512



Transportable - GENERIC

Drive-away antennas / DSNG

SkyRAY MAS 1900

Manufacturer : NDSatCom GmbH/Cobham

Tx Frequency Band: 13.75 – 14.50 GHz

Rx Frequency Band : 10.95 – 12.75 GHz

Tx Gain : 45.4 dBi

HPA max : 750W maximum

Diameter : 1.5 m

Characterized CH-DOP-NDS-150-516



Transportable - GENERIC

Drive-away antennas / DSNG

D150M

Manufacturer : PROSAT SOLUTIONS GmbH

Tx Frequency Band: 13.75 – 14.50 GHz

Rx Frequency Band : 10.70 – 12.75 GHz

Tx Gain : 45.5 dBi

G/T : 22.6 dB/K

HPA max : 400W

Diameter : 1.5 m

Characterized CH-DOP-PST-150-518



Transportable - GENERIC

Drive-away antennas / DSNG

SVS SDC150

Manufacturer : SVS SATELLITE SYSTEMS

Tx Frequency Band: 13.75 – 14.50 GHz

Rx Frequency Band : 10.70 – 12.75 GHz

Tx Gain : 45.5 dBi

G/T : 22.6 dB/K

HPA max : 400W

Diameter : 1.5 m

Characterized CH-DOP-SVS-150-523



Transportable - GENERIC

Drive-away antennas / DSNG

FlyDrive 150 – **END OF LIFE**

Manufacturer : Vislink Communications Ltd

Tx Frequency Band: 13.75 – 14.50 GHz

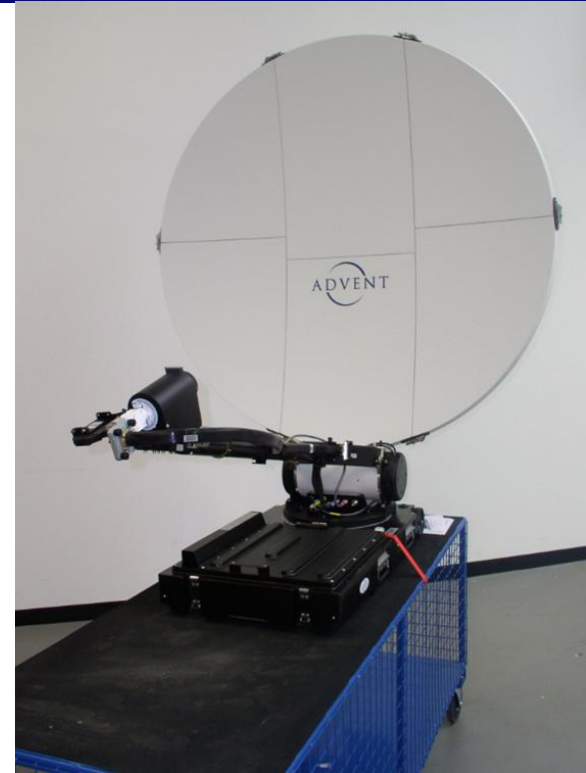
Rx Frequency Band : 10.70 – 12.75 GHz

Tx Gain : 45.6 dBi

HPA max : 400W maximum

Diameter : 1.5 m

Characterized CH-FLY-VSL-150-528



Transportable - GENERIC

Drive-away antennas / DSNG

SMP 155 DA

Manufacturer : Satmission AB

Tx Frequency Band: 13.75 – 14.50 GHz

Rx Frequency Band : 10.70 - 12.75 GHz

Tx Gain : 45.1 dBi

G/T : 22.6 dB/K @ 19.7 GHz

HPA max : 400W

Diameter : 1.54m H x 1.39m V

Characterized CH-DOP-SMN-155-520



Transportable - GENERIC

Drive-away antennas / DSNG

Newsift 180 HD – **END OF LIFE**

Manufacturer : VISLINK International Ltd

Tx Frequency Band: 13.75 – 14.50 GHz

Rx Frequency Band : 10.70 - 12.75 GHz

Tx Gain : 46.4 dBi

HPA max : 750W maximum

Diameter : 1.8 m

Characterized CH-DOP-VSL-180-529



Transportable - GENERIC

Drive-away antennas / DSNG

2.4 DMK

Manufacturer : Vertex RSI

Tx Frequency Band: 13.75 – 14.50 GHz

Rx Frequency Band : 10.95 – 12.75 GHz

Tx Gain : 49 dBi

Diameter : 2.4 m

Type Approved (EA-A006)



Transportable - GENERIC

Drive-away antennas / DSNG

2.4 SMK-LT

Manufacturer : VERTEX RSI

Tx Frequency Band: 13.75 – 14.50 GHz

Rx Frequency Band : 10.70 – 12.75 GHz

Tx Gain : 49.1 dBi

Diameter : 2.4 m

Type Approved (EA-A032)



TRANSPORTABLE - BRODBAND

Drive-away antennas / DSDNG

Transportable - BROADBAND

Drive-away antennas / DSNG

IPCopter with ViaSat Surfbeam 2

Manufacturer : IPCopter GmbH & Co. KG

Tx Frequency Band: 29.50 – 30.00 GHz

Rx Frequency Band : 19.70 - 20.20 GHz

Tx Gain : 44.2 dBi

HPA max : 4W maximum

Diameter : 0.72m equivalent (0.75H X 0.72Vm)

Type Approved (EB-004)



Transportable - BROADBAND

Drive-away antennas / DSNG

MVA75 VSAT with Viasat eTRIA

Manufacturer : Neta Elektronik San.Tic.A.

Tx Frequency Band: 29.50 – 30.00 GHz

Rx Frequency Band : 19.70 - 20.20 GHz

Tx Gain : 44.5 dBi

G/T : 17.7 dB/K

HPA max : 3W maximum

Diameter : 0.74 m

Characterized (EB-054)



Transportable - BROADBAND

Drive-away antennas / DSNG

C-COM iNetVu Ka-75V auto-deploy system with
ViaSat Surfbeam 2

Manufacturer : C-COM Satellite Systems Inc.

Tx Frequency Band: 29.50 – 30.00 GHz

Rx Frequency Band : 19.70 - 20.20 GHz

Tx Gain : 44.3 dBi

G/T : 16.8 dB/K

HPA max : BUC 4W maximum

Diameter : 0.75m H x 0.72m V

Type Approved (EB-007)



Transportable - BROADBAND

Drive-away antennas / DSNG

GC-Zero 70 KA-SAT auto-deploy system with
ViaSat Surfbeam 2

Manufacturer : Dawson (as part of DawCom Ltd)

Tx Frequency Band: 29.50 – 30.00 GHz

Rx Frequency Band : 19.70 - 20.20 GHz

Tx Gain : 43.4 dBi

G/T : 17.1 dB/K

HPA max : BUC maximum 3W & maximum
output power 2W

Diameter : 0.75m H x 0.72m V

Type Approved (EB-009)



Transportable - BROADBAND

Drive-away antennas / DSNG

PALS PKM-77Ka auto-deploy system with Viasat Surfbeam 2

Manufacturer : PALS Electronics Co Ltd
Tx Frequency Band: 29.50 – 30.00 GHz
Rx Frequency Band : 19.70 - 20.20 GHz
Tx Gain : 44.1 dBi
G/T : 17.5 dB/K
HPA max : BUC 4W maximum
Diameter : 0.75m H x 0.72m V
Type Approved (EB-012)



Transportable - BROADBAND

Drive-away antennas / DSNG

Drive Away IPCopter with ViaSat Surfbeam 2

Manufacturer : IPCopter GmbH & Co. KG

Tx Frequency Band: 29.50 – 30.00 GHz

Rx Frequency Band : 19.70 - 20.20 GHz

Tx Gain : 43.1 dBi

G/T : 17.2 dB/K

HPA max : BUC maximum rating 4W

Diameter : 0.75m H x 0.72m V

Type Approved (EB-013)

No available picture

Transportable - BROADBAND

Drive-away antennas / DSNG

SVS AKS250 with ViaSat Surfbeam 2

Manufacturer : SVS SATELLITE SYSTEMS

Tx Frequency Band: 29.50 – 30.00 GHz

Rx Frequency Band : 19.70 - 20.20 GHz

Tx Gain : 44.0 dBi

G/T : 17.2 dB/K

HPA max : BUC maximum rating 4W

Diameter : 0.75m H x 0.72m V

Type Approved (EB-014)



Transportable - BROADBAND

Drive-away antennas / DSNG

C-COM iNetVu Ka-75V – Etria auto-deploy system with Viasat Surfbeam 2

Manufacturer : C-COM Satellite Systems Inc

Tx Frequency Band: 29.50 – 30.00 GHz

Rx Frequency Band : 19.70 – 20.20 GHz

Tx Gain : 44.1 dBi

G/T : 18.1 dB/K @ 19.95 GHz

HPA max : 4W maximum

Diameter : 0.75m H x 0.72m V, equivalent to 0.75m

Weight : 52 kg

Type Approved (EB-049)



Transportable - BROADBAND

Drive-away antennas / DSNG

Drive away Skyhook II

Manufacturer : IPCopter GmbH & Co. KG

Tx Frequency Band: 29.50 – 30.00 GHz

Rx Frequency Band : 19.70 – 20.20 GHz

Tx Gain : 44.2 dBi

G/T : 18.34 dB/K

HPA max : 3W maximum

Diameter : 0.75 m

Type Approved (EB-034)



Transportable - BROADBAND

Drive-away antennas / DSNG

75MP1201832 with Feed Model using e-Tria 3W
– END OF LIFE

Manufacturer : Vislink Technologies

Tx Frequency Band: 29.50 – 30.00 GHz

Rx Frequency Band : 19.70 – 20.20 GHz

Tx Gain : 45.3 dBi

G/T : 17.5 dB/K

HPA max : 3W maximum

Diameter : 0.75 m

Characterized (EB-055)



Transportable - BROADBAND

Drive-away antennas / DSNG

MA-Ma-74G-3 Axis

Manufacturer : C-COM Satellite Systems Inc

Tx Frequency Band: 29.00 – 30.00 GHz

Rx Frequency Band : 17.70 – 20.20 GHz

Tx Gain : 44.9 dBi

G/T : 18.4 dB/K

HPA max : 4W maximum

Diameter : 0.75 m

Characterized (EB-DOP-CCO-075-587)



Transportable - BROADBAND

Drive-away antennas / DSNG

74cm XRE-3 Watt

Manufacturer : C-COM Satellite Systems Inc

Tx Frequency Band: 28.4455 – 30.00 GHz

Rx Frequency Band : 17.30 – 20.20 GHz

Tx Gain : 45.8 dBi

G/T : 17.4 dB/K

HPA max : 3W maximum

Diameter : 0.74 m

Characterized (EB-DOP-CCO-075-837)



Transportable - BROADBAND

Drive-away antennas / DSNG

AVL 880KVH with integrated Viasat TRIA

Manufacturer : AVL Technologies

Tx Frequency Band: 29.50 – 30.00 GHz

Rx Frequency Band : 19.70 - 20.20 GHz

Tx Gain : 45.9 dBi

G/T : 19.8 dB/K

HPA max : BUC maximum rating 3W and
maximum output power 2W

Diameter : 0.85 m

Type Approved (EB-010)



Transportable - BROADBAND

Drive-away antennas / DSNG

ND Satcom Ka2GO

With integrated ViaSat TRIA

Manufacturer : ND Satcom GmbH

Tx Frequency Band: 29.50 – 30.00 GHz

Rx Frequency Band : 19.70 - 20.20 GHz

Tx Gain : 45.8 dBi

G/T : 19.9 dB/K

HPA max : BUC 4W maximum

Diameter : 0.89 m

Type Approved (EB-019)



Transportable - BROADBAND

Drive-away antennas / DSNG

90 EMIT 0141095

Manufacturer : MAEC-VISIOSAT

Tx Frequency Band: 14.00 – 14.50 GHz

Rx Frequency Band : 10.70 – 12.75 GHz

Tx Gain : 40.2 dBi

G/T : 18.4 dB/K

HPA max : 2W

Diameter : 0.9 m

Type Approved (EA-V043)

No available picture

Transportable - BROADBAND

Drive-away antennas / DSNG

C-COM iNetVu Ka-98V
Auto-deploy system with Skyware Global Type
980 SI antenna

Manufacturer : C-COM Satellite Systems Inc
Tx Frequency Band: 29.50 – 30.00 GHz
Rx Frequency Band : 19.70 – 20.20 GHz
Tx Gain : 46.5 dBi
G/T : 19.4 dB/K
HPA max : BUC 4W maximum
Diameter : 0.98 m
Type Approved (EB-022)



Transportable - BROADBAND

Drive-away antennas / DSNG

AKD V10A with ViaSat E TRIA or with ViaSat E TRIA professional

Manufacturer : AKD Communication Technology Co

Tx Frequency Band: 29.00 – 30.00 GHz

Rx Frequency Band : 19.70 - 20.20 GHz

Tx Gain : 47.3 dBi

G/T : 21.4 dB/K

HPA max : 4W maximum

Diameter : 0.98 m

Characterized (EB-046)



Transportable - BROADBAND

Drive-away antennas / DSNG

AVL 1080KVH with integrated Viasat TRIA

Manufacturer : AVL Technologies

Tx Frequency Band: 29.50 – 30.00 GHz

Rx Frequency Band : 19.70 - 20.20 GHz

Tx Gain : 46.9 dBi

G/T : 21.2 dB/K

HPA max : BUC maximum rating 3W and
maximum output power 2W

Diameter : 1 m

Type Approved (EB-011)



Transportable - BROADBAND

Drive-away antennas / DSNG

Cobham EXPLORER 7100 MB KASAT
with integrated ViaSat TRIA

Manufacturer : COBHAM

Tx Frequency Band: 29.50 – 30.00 GHz

Rx Frequency Band : 19.70 - 20.20 GHz

Tx Gain : 46.9 dBi

G/T : 21.2 dB/K

HPA max : BUC maximum 3W & maximum
output power 2W

Diameter : 1 m

Type Approved (EB-015)



Transportable - BROADBAND

Drive-away antennas / DSNG

SISLive DriveForce 100 with integrated ViaSat TRIA

Manufacturer : SISLive

Tx Frequency Band: 29.50 – 30.00 GHz

Rx Frequency Band : 19.70 - 20.20 GHz

Tx Gain : 47.4 dBi

G/T : 20.37 dB/K

HPA max : 4W maximum

Diameter : 1 m

Type Approved (EB-023)



Transportable - BROADBAND

Drive-away antennas / DSNG

EXPLORER 8100 Ka With ViaSat E TRIA
- END OF LIFE

Manufacturer : Thrane & Thrane A/S trading as
COBHAM Satcom

Tx Frequency Band: 29.50 – 30.00 GHz

Rx Frequency Band : 19.70 – 20.20 GHz

Tx Gain : 47.7 dBi

G/T : 22.2 dB/K

HPA max : BUC 4W maximum

Diameter : 1 m

Type Approved (EB-028)



Transportable - BROADBAND

Drive-away antennas / DSNG

SMP 125 DA SML 125 DA

Manufacturer : Satmission AB

Tx Frequency Band: 29.25 – 30.00 GHz

Rx Frequency Band : 19.20 - 20.20 GHz

Tx Gain : 48.9 dBi

G/T : 23.3 dB/K @ 19.7 GHz

Diameter : 1.2 m

Type Approved (EB-042)





TRANSPORTABLE - GENERIC Fly-away antennas

Transportable - GENERIC

Fly-away antennas

NAY-199K – END OF LIFE

Manufacturer : Japan Radio Co, Ltd

Tx Frequency Band: 13.75 – 14.50 GHz

Rx Frequency Band : 10.95 – 12.75 GHz

Tx Gain : 36.5 dBi

G/T : 11.5 dB/K

HPA max : 80W

Diameter : 0.59 m equivalent

Characterized CH-FLY-JRC-059-534



Transportable - GENERIC

Fly-away antennas

PICO75

Manufacturer : ReQuTech AB

Tx Frequency Band: 13.75 – 14.50 GHz

Rx Frequency Band : 10.70 – 12.75 GHz

Tx Gain : 37.9 dBi

G/T : 19.0 dB/K

HPA max : 50W

Diameter : 0.75 m

Characterized CH-FLY-RQT-075-535



Transportable - GENERIC

Fly-away antennas

LightAway

Manufacturer : EVERSAT

Tx Frequency Band: 13.75 – 14.50 GHz

Rx Frequency Band : 10.70 - 12.75 GHz

Tx Gain : 38.6 dBi

HPA max : 200W maximum

Diameter : 0.8 m

Characterized CH-FLY-EVE-080-533



Transportable - GENERIC

Fly-away antennas

11026001 EL980X700

Manufacturer : TELE System Electronic
Tx Frequency Band: 14.00 – 14.50 GHz
Rx Frequency Band : 10.70 – 12.75 GHz
Tx Gain : 40.0 dBi
G/T : 20.0 dB/K
HPA max : 2W maximum
Diameter : 0.83 m
Type Approved (EA-V052)

No available picture

Transportable - GENERIC

Fly-away antennas

G90 Tx/Rx

Manufacturer : Raven Manufacturing

Tx Frequency Band: 14.00 – 14.50 GHz

Rx Frequency Band : 10.95 – 12.75 GHz

Tx Gain : 38.2 dBi

G/T : 22.7 dB/K

HPA max : 2W maximum

Diameter : 0.89 x 0,80 m

Type Approved (EA-V045)

No available picture

Transportable - GENERIC

Fly-away antennas

CCT90 SUITCASE

Manufacturer : Datapath

Tx Frequency Band: 13.75 – 14.50 GHz

Rx Frequency Band : 10.70 – 12.75 GHz

Tx Gain : 38.2 dBi

G/T : 18.4 dB/K

HPA max : SSPA 35W maximum

Diameter : 0.9m x 0.66m

Type Approved (EA-V042)



CCT90
Suitcase®

Transportable - GENERIC

Fly-away antennas

CCT 120-4

CCT 120-1

Manufacturer : Datapath

Tx Frequency Band: 13.75 – 14.50 GHz

Rx Frequency Band : 10.95 – 12.75 GHz

Tx Gain : 41.9 dBi

G/T : 21.5 dB/K

HPA max : BUC 50W maximum

Diameter : 0.83 x 1.2 m

Type Approved (EA-V057)



Transportable - GENERIC

Fly-away antennas

90 EMIT

Manufacturer : MAEC-VISIOSAT

Tx Frequency Band: 14.00 – 14.50 GHz

Rx Frequency Band : 10.70 – 12.75 GHz

Tx Gain : 40.2 dBi

HPA max : 2W maximum

Diameter : 0.9 m

Type Approved (EA-V044)

No available picture

Transportable - GENERIC

Fly-away antennas

1985 – END OF LIFE

Manufacturer : Raven Manufacturing

Tx Frequency Band: 13.75 – 14.50 GHz

Rx Frequency Band : 10.95 – 12.75 GHz

Tx Gain : 41.1 dBi

G/T : 17.2 dB/K

HPA max : 1W

Diameter : 0.98 m

Type Approved (EA-V046)

No available picture

Transportable - GENERIC

Fly-away antennas

Cobham EXPLORER 6100

Manufacturer : THRANE & THRANE A/S

Tx Frequency Band: 13.75 - 14.50 GHz

Rx Frequency Band : 10.70 - 12.75 GHz

Tx Gain : 41.6 dBi

G/T : 19.5 dB/K

HPA max : 50W maximum

Diameter : 1 m

Characterized CH-FLY-COB-100-537



Transportable - GENERIC

Fly-away antennas

1 m SFK-LT

Manufacturer : VERTEX RSI

Tx Frequency Band: 13.75 – 14.50 GHz

Rx Frequency Band : 10.70 - 12.75 GHz

Tx Gain : 42.1 dBi

Diameter : 1 m

Type Approved (EA-A030)



Transportable - GENERIC

Fly-away antennas

120 EMIT

Manufacturer : MAEC-VISIOSAT

Tx Frequency Band: 14.00 – 14.50 GHz

Rx Frequency Band : 10.70 – 12.75 GHz

Tx Gain : 42.8 dBi

HPA max : BUC 3W maximum

Diameter : 1.2 m

Type Approved (EA-A029)

No available picture

Transportable - GENERIC

Fly-away antennas

Prodelin 1135

Manufacturer : GD Satcom

Tx Frequency Band: 13.75 – 14.50 GHz

Rx Frequency Band : 10.95 – 12.75 GHz

Tx Gain : 43.0 dBi

G/T : 19.0 dB/K

HPA max : 1W maximum

Diameter : 1.2 m

Type Approved (EA-V047)



Series 1135



Transportable - GENERIC

Fly-away antennas

120 DR 0141126

Manufacturer : MAEC-VISIOSAT

Tx Frequency Band: 13.75 – 14.50 GHz

Rx Frequency Band : 10.70 – 12.75 GHz

Tx Gain : 42.7 dBi

G/T : 20.8 dB/K

HPA max : 4W maximum

Diameter : 1.2 m

Type Approved (EA-V053)

No available picture

Transportable - GENERIC

Fly-away antennas

DEK120F/2P/100-2 based on Sat-Lite Agilis 1221 with mode matched feed

Manufacturer : ACTIA Telecom

Tx Frequency Band: 13.75 – 14.50 GHz

Rx Frequency Band : 10.70 – 12.75 GHz

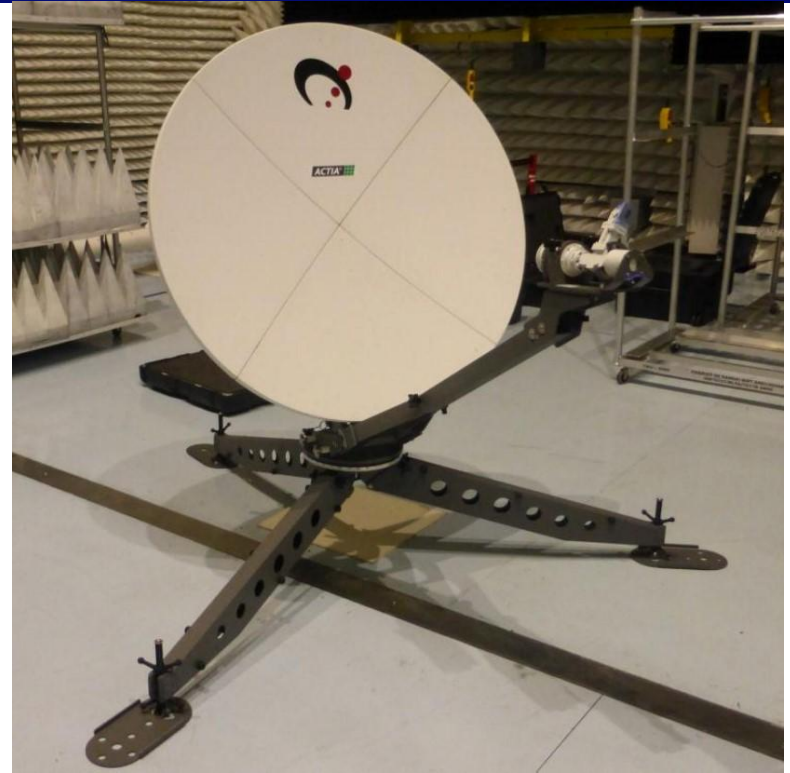
Tx Gain : 43.7 dBi

G/T : 20.3 dB/K

HPA max : 100W

Diameter : 1.2 x 1.2 m

Characterized CH-FLY-ACT-120-531



Transportable - GENERIC

Fly-away antennas

PICO120

Manufacturer : ReQuTech AB

Tx Frequency Band: 13.75 – 14.50 GHz

Rx Frequency Band : 10.70 – 12.75 GHz

Tx Gain : 41.7 dBi

G/T : 22.8 dB/K

HPA max : 50W

Diameter : 1.2 m

Characterized CH-FLY-RQT-120-536



Transportable - GENERIC

Fly-away antennas

TP120 Fly Away antenna

Manufacturer : Holkirk Communication Ltd

Tx Frequency Band: 13.75 – 14.50 GHz

Rx Frequency Band : 10.70 – 12.75 GHz

Tx Gain : 43.5 dBi

G/T : 21 dB/K

Diameter : 1.2 m

Characterized CH-FLY-HOL-120-595



Transportable - GENERIC

Fly-away antennas

DST150 – END OF LIFE

Manufacturer : Vislink Communications Ltd

Tx Frequency Band: 14.00 – 14.50 GHz

Rx Frequency Band : 10.95 – 12.75 GHz

Tx Gain : 45 dBi

HPA max : 400W maximum

Diameter : 1.5 m

Type Approved (EA-A001)



Transportable - GENERIC

Fly-away antennas

MFT 1500

Manufacturer : NDS Satcom AG

Tx Frequency Band: 12.75 – 14.50 GHz

Rx Frequency Band : 10.70 - 12.75 GHz

Tx Gain : 45.8 dBi

G/T : 22.4 dB/K

Diameter : 1.5 m

Type Approved (TA-FLY-NDS-150-712)



Transportable - GENERIC

Fly-away antennas

CCT200 Fly-Away

Manufacturer : DataPath International AB

Tx Frequency Band: 13.75 – 14.50 GHz

Rx Frequency Band : 10.70 – 12.75 GHz

Tx Gain : 46.0 dBi

G/T : 23.6 dB/K

HPA max : 400W

Diameter : 2.0m H x 1.6m V

Characterized CH-FLY-DAT-200-532



Transportable - GENERIC

Fly-away antennas

2.4 SMC-LT

Manufacturer : VERTEX RSI

Tx Frequency Band: 5.850 – 6.425 GHz

Rx Frequency Band : 3.625 – 4.20 GHz

Tx Gain : 42.1 dBi

Diameter : 2.4 m

Type Approved (EA-A031)



Transportable - GENERIC

Fly-away antennas

2.4 SMC-LT (4 ports feed)

Manufacturer : VERTEX RSI

Tx Frequency Band: 5.850 – 6.425 GHz

Rx Frequency Band : 3.625 – 4.20 GHz

Tx Gain : 41.7 dBi

Diameter : 2.4 m

Type Approved (EA-A036)

No available picture

Transportable - GENERIC

Fly-away antennas

2.4 SFC-2712C (2 ports feed)

Manufacturer : VERTEX RSI

Tx Frequency Band: 5.850 – 6.425 GHz

Rx Frequency Band : 3.625 – 4.20 GHz

Tx Gain : 41.9 dBi

Diameter : 2.4 m

Characterized CH-FLY-VER-240-538

No available picture

Transportable - GENERIC

Fly-away antennas

2.4 SFK-1575I (2 ports feed)

Manufacturer : VERTEX RSI

Tx Frequency Band: 13.75 – 14.50 GHz

Rx Frequency Band : 10.70 – 12.75 GHz

Tx Gain : 48.9 dBi

Diameter : 2.4 m

Characterized CH-FLY-VER-240-539

No available picture

Transportable - GENERIC

Fly-away antennas

Mantis 2.4m C-band – **END OF LIFE**

Manufacturer : Vislink Communications Ltd

Tx Frequency Band: 5.85 – 6.425 GHz

Rx Frequency Band : 3.60 – 4.20 GHz

Tx Gain : 41.3 dBi

G/T : 17.0 dB/K

HPA max : 750W

Diameter : 2.4 m

Characterized CH-FLY-VSL-240-542



Transportable - GENERIC

Fly-away antennas

Mantis 2.4m Ku-band

Manufacturer : Vislink Communications Ltd

Tx Frequency Band: 13.75 – 14.50 GHz

Rx Frequency Band : 10.70 – 12.75 GHz

Tx Gain : 48.5 dBi

G/T : 25.4 dB/K

HPA max : 750W

Diameter : 2.4 m

Characterized CH-FLY-VSL-240-543



Transportable - GENERIC

Fly-away antennas

2.4 SMK-LT (4 ports feed)

Manufacturer : VERTEX RSI

Tx Frequency Band: 13.75 – 14.50 GHz

Rx Frequency Band : 10.70 – 12.75 GHz

Tx Gain : 48.9 dBi

Diameter : 2.4 m

Type Approved (EA-A037)

No available picture

Transportable - GENERIC

Fly-away antennas

Paradigm AnaSat Ku 1600

Manufacturer : Paradigm (UK)

Tx Frequency Band: 14.00 – 14.50 GHz

Rx Frequency Band : 10.95 – 12.75 GHz

Tx Gain : 49.2 dBi

HPA max : from 2W, 4W, 8W to 16W maximum

Diameter : 2.4 m

Type Approved (EA-V032)

No available picture

Transportable - GENERIC

Fly-away antennas

2.4m dual optics Ku-band
(62-2445202) – **END OF LIFE**

Manufacturer : Skyware Global
Tx Frequency Band: 13.75 – 14.50 GHz
Rx Frequency Band : 10.70 – 12.75 GHz
Tx Gain : 49.2 dBi
G/T : 21.5 dB/K
HPA max : 16W maximum
Diameter : 2.4 m
Type Approved (EA-V062)



TRANSPORTABLE - BROADBAND

Fly-away antennas

Transportable - BROADBAND

Fly-away antennas

GV-A0XX-6200-00

with Feed Model: 07-0705-4007

Manufacturer : Satcube AB

Tx Frequency Band: 13.75 – 14.50 GHz

Rx Frequency Band : 10.95 – 12.75 GHz

Tx Gain : 32.0 dBi

G/T : 8.8 dB/K

HPA max : BUC 8W maximum

Diameter : 0.38m equivalent

Characterized (EB-053)



Transportable - BROADBAND

Fly-away antennas

AVL 0614 with integrated ViaSat TRIA, E-TRIA or P-TRIA

Manufacturer : AVL Technologies

Tx Frequency Band: 29.50 – 30.00 GHz

Rx Frequency Band : 19.70 - 20.20 GHz

Tx Gain : 41.9 dBi

G/T : 16.26 dB/K

HPA max : 4W maximum

Diameter : 0.6 m

Type Approved (EB-024)



Transportable - BROADBAND

Fly-away antennas

FastiPTM 77cm
with ViaSat Surfbeam 2

Manufacturer : OPENSAT

Tx Frequency Band: 29.50 – 30.00 GHz

Rx Frequency Band : 19.70 - 20.20 GHz

Tx Gain : 44.2 dBi

HPA max : BUC 4W maximum

Diameter : 0.75m H X 0.72m V

Characterized (EB-005)



Transportable - BROADBAND

Fly-away antennas

C-COM Fly-75V with ViaSat Surfbeam 2

Manufacturer : C-COM Satellite Systems Inc.

Tx Frequency Band: 29.50 – 30.00 GHz

Rx Frequency Band : 19.70 - 20.20 GHz

Tx Gain : 44.6 dBi

G/T : 17.5 dB/K

HPA max : 4W maximum

Diameter : 0.75m H x 0.72m V

Type Approved (EB-017)



Transportable - BROADBAND

Fly-away antennas

TracStar LVC750P8

Manufacturer : COBHAM

Tx Frequency Band: 29.50 – 30.00 GHz

Rx Frequency Band : 19.70 - 20.20 GHz

Tx Gain : 43.6 dBi

HPA max : 4W maximum

Diameter : 0.75 m

Type Approved (EB-008)



Transportable - BROADBAND

Fly-away antennas

10KaS Diamond

Approved with Cobham/Era reflector

Manufacturer : Cobham CTS – Cobham
Technical Services

Tx Frequency Band: 29.50 – 30.00 GHz

Rx Frequency Band : 19.70 - 20.20 GHz

Tx Gain : 47.5 dBi

HPA max : BUC maximum 3W & maximum
output power 2W

Diameter : 1 m

Type Approved (EB-006)



Transportable - BROADBAND

Fly-away antennas

SIS ManPak 100T
with integrated ViaSat TRIA

Manufacturer : SISLive

Tx Frequency Band: 29.50 – 30.00 GHz

Rx Frequency Band : 19.70 - 20.20 GHz

Tx Gain : 46.9 dBi

G/T : 20.36 dB/K

HPA max : BUC 4W maximum

Diameter : 1 m

Type Approved (EB-025)





FIXED ANTENNAS

Generic

Fixed - GENERIC

75 Rx/Tx ANT

Manufacturer : MAEC-VISIOSAT

Tx Frequency Band: 13.75 – 14.50 GHz

Rx Frequency Band : 10.70 – 12.75 GHz

Tx Gain : 39 dBi

Diameter : 0.75 m

Weight : 7 kg

Type Approved (EA-A019)



Fixed - GENERIC

75 Rx/Tx ANT 0141054

Manufacturer : MAEC-VISIOSAT

Tx Frequency Band: 14.00 – 14.50 GHz

Rx Frequency Band : 10.70 – 12.75 GHz

Tx Gain : 39 dBi

G/T : 17.0 dB/K

HPA max : 2W

Diameter : 0.75 m

Type Approved (EA-V040)



Fixed - GENERIC

OA1600B

Manufacturer : TSAT A.S.

Tx Frequency Band: 13.75 – 14.50 GHz

Rx Frequency Band : 10.70 – 12.75 GHz

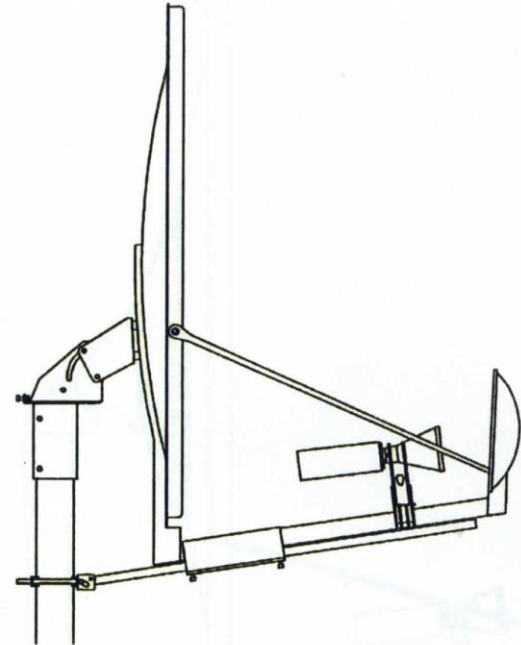
Tx Gain : 41.4 dBi

G/T : 19.6 dB/K

HPA max : 2W SSPA

Diameter : 0.9 m

Type Approved (EA-V013)



Fixed - GENERIC

90 DR 0141044

Manufacturer : MAEC-VISIOSAT

Tx Frequency Band: 13.75 – 14.50 GHz

Rx Frequency Band : 10.70 – 12.75 GHz

Tx Gain : 40.1 dBi

G/T : 18.2 dB/K

HPA max : 2W

Diameter : 0.9 m

Type Approved (EA-V041)



Fixed - GENERIC

Type 965 Class I

Manufacturer : Skyware Global

Tx Frequency Band: 13.75 – 14.50 GHz

Rx Frequency Band : 10.70 – 12.75 GHz

Tx Gain : 41.2 dBi

HPA max : 16W maximum

Diameter : 0.96 m

Type Approved (EA-V061)



Fixed - GENERIC

Type 988 Class I With Cielo Transceiver

Manufacturer : Skyware Global

Tx Frequency Band: 28.30 – 30.00 GHz

Rx Frequency Band : 18.30 – 20.20 GHz

Tx Gain : 47.6 dBi

G/T : 22.1 dB/K

HPA max : 3W maximum

Diameter : 0.98 m

Type Approved (EA-V064)



Fixed - GENERIC

OA1600C

Manufacturer : TSAT A.S.

Tx Frequency Band: 13.75 – 14.50 GHz

Rx Frequency Band : 10.70 – 12.75 GHz

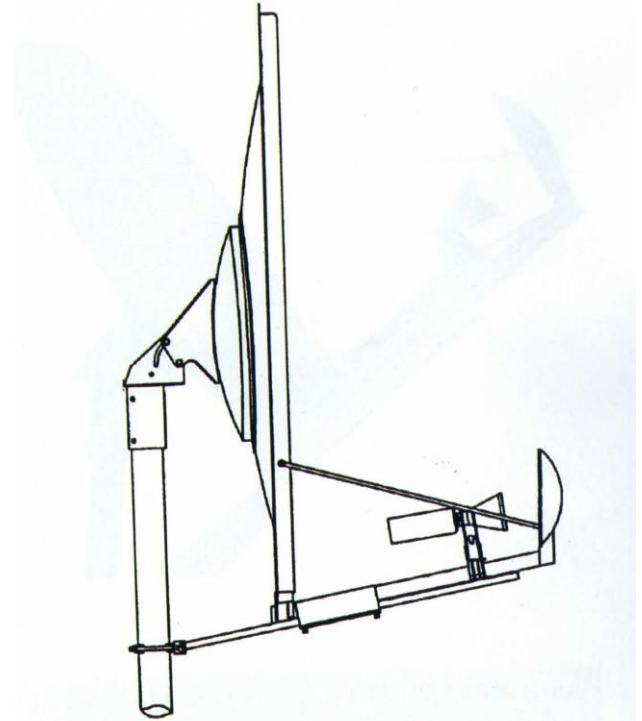
Tx Gain : 43.4 dBi

G/T : 22.1 dB/K

HPA max : 2W SSPA

Diameter : 1.2 m

Type Approved (EA-V014)



Fixed - GENERIC

1.2 m RXTx Type 125 Class I

Manufacturer : Skyware Global

Tx Frequency Band: 13.75 – 14.50 GHz

Rx Frequency Band : 10.70 – 12.75 GHz

Tx Gain : 43.5 dBi

G/T : 21.3 dB/K

HPA max : BUC 16W maximum

Diameter : 1.2 m

Type Approved (EA-V055)



Fixed - GENERIC

Type 185 Class III With Mode Matched
Compensated Feed

Manufacturer : Skyware Global

Tx Frequency Band: 13.75 – 14.50 GHz

Rx Frequency Band : 10.70 – 12.75 GHz

Tx Gain : 46.7 dBi

G/T : 25.2 dB/K

HPA max : 16W maximum

Diameter : 1.8 m

Type Approved (EA-V065)



Fixed - GENERIC

ESA24K-1 – END OF LIFE

Manufacturer : Kratos Antenna Solutions Corporation (previously ASC Signal)

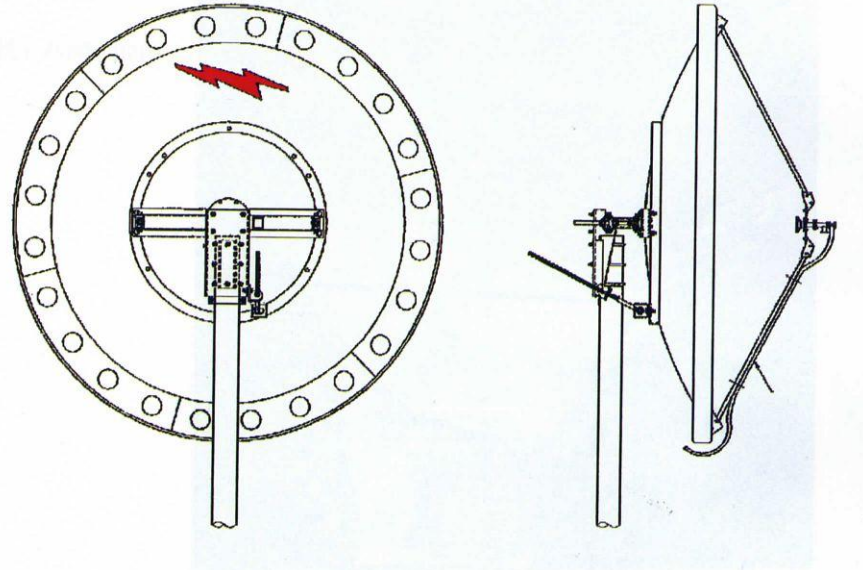
Tx Frequency Band: 12.75 – 14.50 GHz

Rx Frequency Band : 10.95 – 12.75 GHz

Tx Gain : 48.5 dBi

Diameter : 2.4 m

Type Approved (EA-A003)



Fixed - GENERIC

2.4 DPK

Manufacturer : Vertex RSI

Tx Frequency Band: 13.75 – 14.50 GHz

Rx Frequency Band : 10.95 – 12.75 GHz

Tx Gain : 48.7 dBi

Diameter : 2.4 m

Type Approved (EA-A007)



Fixed - GENERIC

Prodelin 1244

Manufacturer : GD Satcom

Tx Frequency Band: 14.00 – 14.50 GHz

Rx Frequency Band : 10.95 – 12.75 GHz

Tx Gain : 49.2 dBi

HPA max : from 2W, 4W, 8W to 16W maximum

Diameter : 2.4 m

Type Approved



Fixed - GENERIC

DESNET 2000 - 24

Manufacturer : Selex Communications

Tx Frequency Band: 14.00 – 14.50 GHz

Rx Frequency Band : 10.95 – 12.75 GHz

Tx Gain : 49.2 dBi

G/T : 27.0 dB/K

HPA max : 16W

Diameter : 2.4 m

Type Approved (EA-V036)

No available picture

Fixed - GENERIC

2.4m single optics Ku-Band Type 245 Class III
Ku Band (compensated 2 port feed)

Manufacturer : Skyware Global

Tx Frequency Band: 13.75 – 14.50 GHz

Rx Frequency Band : 10.70 – 12.75 GHz

Tx Gain : 49.2 dBi

G/T : 27.7 dB/K

HPA max : 16W maximum

Diameter : 2.4 m

Type Approved (EA-V066)



Fixed - GENERIC

ES37(MPJ)K

Manufacturer : Kratos Antenna Solutions Corporation (previously ASC Signal)

Tx Frequency Band: 14.00 – 14.50 GHz

Rx Frequency Band : 10.95 – 12.75 GHz

Tx Gain : 53 dBi

Diameter : 3.7 m

Type Approved (EA-A002)



Fixed - GENERIC

3.80 Meter VXK / 3.80 Meter PMK
(2 ports feed system)

Manufacturer : GENERAL DYNAMICS
Tx Frequency Band: 13.75 – 14.50 GHz
Rx Frequency Band : 10.70 – 12.75 GHz
Tx Gain : 53.2 dBi
Diameter : 3.8 m
Weight : 311 kg
Type Approved (EA-A015)



Fixed - GENERIC

3.80 Meter VXK / 3.80 Meter PMK
(4 ports feed system)

Manufacturer : GENERAL DYNAMICS
Tx Frequency Band: 13.75 – 14.50 GHz
Rx Frequency Band : 10.70 – 12.75 GHz
Tx Gain : 53.2 dBi
Diameter : 3.8 m
Weight : 311 kg
Type Approved (EA-A039)



Fixed - GENERIC

3.80 Meter VXK / 3.80 Meter PMK
(4 ports DBS feed system)

Manufacturer : GENERAL DYNAMICS
Tx Frequency Band: 17.30 – 18.40 GHz
Rx Frequency Band : 10.70 – 12.75 GHz
Tx Gain : 54.4 dBi
G/T : 30.6 dB/K
Diameter : 3.8 m
Weight : 311 kg
Characterized CH-FXA-VER-380-340



Fixed - GENERIC

825-2020-001

Manufacturer : Page Europa

Tx Frequency Band: 14.00 – 14.50 GHz

Rx Frequency Band : 10.95 – 12.75 GHz

Tx Gain : 55.4 dBi

Diameter : 4.8 m

Type Approved (EA-A018)



Fixed - GENERIC

4.8m KPK

Manufacturer : Vertex RSI

Tx Frequency Band: 13.75 – 14.50 GHz

Rx Frequency Band : 10.70 – 12.75 GHz

Tx Gain : 55 dBi

Diameter : 4.8 m

Type Approved (EA-A023)



Fixed - GENERIC

4.8m KPC

Manufacturer : Vertex RSI

Tx Frequency Band: 5.850 – 6.425 GHz

Rx Frequency Band : 3.625 – 4.2 GHz

Tx Gain : 47.8 dBi

Diameter : 4.8 m

Type Approved (EA-A024)



FIXED ANTENNAS

Broadband

Fixed - BROADBAND

Model 74 cm Ka band Jupiter1

Manufacturer : Skyware Global

Tx Frequency Band: 29.00 – 30.00 GHz

Rx Frequency Band : 19.20 – 20.20 GHz

Tx Gain : 45.4 dBi

G/T : 19.7 dB/K

HPA max : 1W

Diameter : 0.91m H x 0.66m V equivalent 0.74m

Type Approved (EB-030)



Fixed - BROADBAND

Model 74 cm Ka band with ViaSat E TRIA

Manufacturer : Skyware Global

Tx Frequency Band: 29.00 – 30.00 GHz

Rx Frequency Band : 19.20 – 20.20 GHz

Tx Gain : 44.4 dBi

G/T : 18.6 dB/K

HPA max : 4W maximum

Diameter : 0.91m H x 0.66m V equivalent 0.74m

Type Approved (EB-035)



Fixed - BROADBAND

Model 74 cm Ka band with Hughes Jupiter 2

Manufacturer : Skyware Global

Tx Frequency Band: 29.00 – 30.00 GHz

Rx Frequency Band : 19.20 – 20.20 GHz

Tx Gain : 44.0 dBi

G/T : 18.8 dB/K

HPA max : 2.5W maximum

Diameter : 0.91m H X 0.66m V equivalent 0.74 m

Type Approved (EB-041)



Fixed - BROADBAND

SKY74XRF – END OF LIFE

Manufacturer : Skyware Technologies

Tx Frequency Band: 29.00 – 30.00 GHz

Rx Frequency Band : 17.80 – 20.20 GHz

Tx Gain : 45.11 dBi

G/T : 19.6 dB/K @ 19.00 GHz

HPA max : 4W maximum

Diameter : 0.74m

Type Approved (EB-043)



Fixed - BROADBAND

ViaSat order n° 12011831 / 12011832
PBI SN 6000081 for ViaSat mechanical TRIA

Manufacturer : ProBrand International Inc
Tx Frequency Band: 29.00 – 30.00 GHz
Rx Frequency Band : 19.70 – 20.20 GHz
Tx Gain : 44.1 dBi
G/T : 18.4 dB/K @ 19.95 GHz
HPA max : 3W maximum
Diameter : 0.74m
Type Approved (EB-044)

No available picture

Fixed - BROADBAND

ViaSat order n° 12011831 / 12011832
PBI SN 6000071 for ViaSat mechanical TRIA

Manufacturer : ProBrand International Inc
Tx Frequency Band: 29.00 – 30.00 GHz
Rx Frequency Band : 19.70 – 20.20 GHz
Tx Gain : 44.6 dBi
G/T : 19.1 dB/K @ 19.95 GHz
HPA max : 3W maximum
Diameter : 0.74m
Type Approved (EB-045)



Fixed - BROADBAND

Konnect, KVHTS

Model 74 cm Ka, with HNS Jupiter 2 HB210

Manufacturer : Jonsa Technologies

Tx Frequency Band: 29.50 – 30.00 GHz

Rx Frequency Band : 17.70 – 20.20 GHz

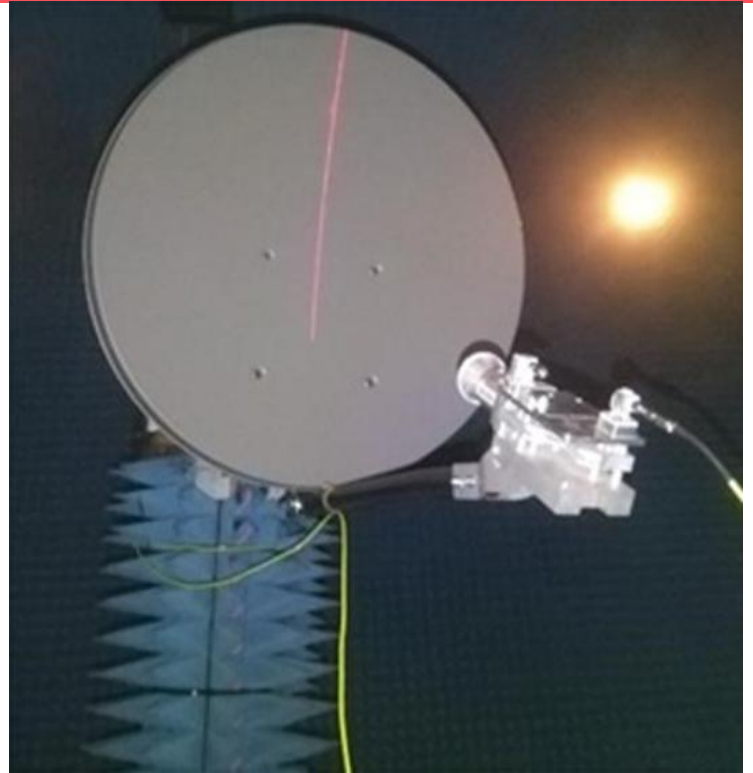
Tx Gain : 45.3 dBi

G/T : 18.2 dB/K

HPA max : 2 W maximum

Diameter : 0.74 m

Type Approved (EB-FXV-JNS-074-828)



Fixed - BROADBAND

IP Easy

Azure Shine Technology
GV-75XX-5900-00 with Azur Shine feed-OMT7

Manufacturer : Azure Shine Technology
Tx Frequency Band: 13.75 – 14.50 GHz
Rx Frequency Band : 10.70 – 12.75 GHz
Tx Gain : 39.8 dBi
G/T : 17.5 dB/K @ 11.70 GHz
HPA max : BUC 4W maximum
Diameter : 0.75m x 0.78m (equivalent to 0.75m)
Type Approved (EB-047)



Fixed - BROADBAND

ViaSat Surfbeam 2

Manufacturer : ViaSat, Inc

Tx Frequency Band: 29.50 – 30.00 GHz

Rx Frequency Band : 19.70 - 20.20 GHz

Tx Gain : 44.2 dBi

G/T : 17.2 dB/K

HPA max : maximum rating 3W and maximum output power 2W

Diameter : 0.75m H X 0.72m V

Type Approved (EB-002)



Fixed - BROADBAND

ViaSat Surfbeam 2

72 cm consumer User Terminal

Manufacturer : ViaSat, Inc

Tx Frequency Band: 29.50 – 30.00 GHz

Rx Frequency Band : 19.70 - 20.20 GHz

Tx Gain : 45.2 dBi

G/T : 17.8 dB/K

HPA max : maximum rating 3W and maximum output power 2W

Diameter : 0.75m H X 0.72m V

Type Approved (EB-016)



Fixed - BROADBAND

Konnect

GV-75XX-5900-00
with feed Model GA-0103-12G0

Manufacturer : Azure Shine Technology
Tx Frequency Band: 29.00 – 30.00 GHz
Rx Frequency Band : 17.80 – 20.20 GHz
Tx Gain : 45.9 dBi
G/T : 19.4 dB/K
HPA max : BUC 3W maximum
Diameter : 0.75m x 0.78m (equivalent to 0.75m)
Type Approved (EB-048)



Fixed - BROADBAND

Gilat AT2364

Manufacturer : Gilat satellite networks Ltd

Tx Frequency Band: 29.00 – 30.00 GHz

Rx Frequency Band : 19.20 – 20.20 GHz

Tx Gain : 45.5 dBi

G/T : 19.8 dB/K

HPA max : 4W maximum

Diameter : 0.88m H x 0.66 m V, equivalent to
0.76m

Type Approved (EB-031)



Top pole version of AZ/EL mount



Fixed - BROADBAND

Konnect

Global Skyware 90 cm antenna
equipped with HNS Jupiter 2 transceiver

Manufacturer : Global Skyware

Tx Frequency Band: 29.50 - 30.00 GHz

Rx Frequency Band : 17.70 - 20.20 GHz

Tx Gain : 45.3 dBi

G/T : 19.7 dB/K

HPA max :

Diameter : 0.9 m

Type Approved (EB-057)



Fixed - BROADBAND

0 141 162 (2 ports feed)

Manufacturer : MAEC-VISIOSAT

Tx Frequency Band: 13.75 – 14.50 GHz

Rx Frequency Band : 10.70 - 12.75 GHz

Tx Gain : 40.1 dBi

HPA max : maximum rating 3W and maximum output power 2W

Diameter : 0.9m X 0.99m

Characterized (EB-001)

No available picture

Fixed - BROADBAND

Gilat ref : AT 2011

Sky. Gl. ref.: 62-9886111

Manufacturer : Skyware Global

Tx Frequency Band: 29.00 – 30.00 GHz

Rx Frequency Band : 19.20 – 20.20 GHz

Tx Gain : 47.9 dBi

G/T : 22.02 dB/K

HPA max : 4W maximum

Diameter : 0.98 m

Type Approved (EB-032)



Fixed - BROADBAND

Model 0.98 m Ka band with ViaSat E TRIA

Manufacturer : Skyware Global

Tx Frequency Band: 29.00 – 30.00 GHz

Rx Frequency Band : 19.20 – 20.20 GHz

Tx Gain : 46.1 dBi

G/T : 20.4 dB/K

HPA max : 4W maximum

Diameter : 0.98 m

Type Approved (EB-037)



Fixed - BROADBAND

Skyware Global Type 980 SI – **END OF LIFE**

Manufacturer : Skyware Global

Tx Frequency Band: 29.50 – 30.00 GHz

Rx Frequency Band : 19.70 - 20.20 GHz

Tx Gain : 46.3 dBi

G/T : 19.4 dB/K

HPA max : 4W maximum

Diameter : 0.99m H x 0.93m V

Type Approved (EB-020)



Fixed - BROADBAND

IP Easy

GV-A0XX-6200-00

with OMT Feed Model: 07-0705-4007

Manufacturer : Azure Shine Technology

Tx Frequency Band: 12.75 – 14.50 GHz

Rx Frequency Band : 10.70 – 12.50 GHz

Tx Gain : 41.3 dBi

G/T : 18.2 dB/K

HPA max : BUC 8W maximum

Diameter : 1 m

Type Approved (EB-050)



Fixed - BROADBAND

NEWTEC IP Easy ANT 2025

Manufacturer : NEWTEC Cy N.V.

Tx Frequency Band: 14.00 – 14.50 GHz

Rx Frequency Band : 10.70 – 12.75 GHz

Tx Gain : 42.3 dBi

G/T : 18.9 dB/K

HPA max : BUC 8W maximum

Diameter : 1.077H x 1.00 V m

Type Approved (EB-018)



Fixed - BROADBAND

ViaSat Tooway Professional 1.2 m
With Integrated ViaSat eTRIA

Manufacturer : ViaSat Inc
Tx Frequency Band: 29.50 – 30.00 GHz
Rx Frequency Band : 19.70 – 20.20 GHz
Tx Gain : 49.9 dBi
G/T : 23.6 dB/K
HPA max : 4W maximum
Diameter : 1.2 m
Type Approved (EB-021)



Fixed - BROADBAND

Gilat ref.: AT 2015 Top pole, AT 2364 Mid Pole Sky. Gl. ref.: 62-1276111

Manufacturer : Skyware Global

Tx Frequency Band: 29.00 – 30.00 GHz

Rx Frequency Band : 19.70 – 20.20 GHz

Tx Gain : 49.5 dBi

G/T : 27 dB/K

HPA max : 2.5W maximum

Diameter : 1.2 m

Type Approved (EB-033)



Fixed - BROADBAND

KVHTS

Model 120 cm Ka, with HNS Jupiter 3 HT3200

Manufacturer : Jonsa Technologies

Tx Frequency Band: 28.4455 – 30.00 GHz

Rx Frequency Band : 17.30 – 20.20 GHz

Tx Gain : 49.5 dBi

G/T : 18.2 dB/K

HPA max : 3 W maximum

Diameter : 1.2 m

Type Approved (EB-FXV-JNS-120-836)



Fixed - BROADBAND

Model 127cm Ka band with ViaSat
E TRIA

Manufacturer : Skyware Global

Tx Frequency Band: 29.00 – 30.00 GHz

Rx Frequency Band : 19.20 – 20.20 GHz

Tx Gain : 48.9 dBi

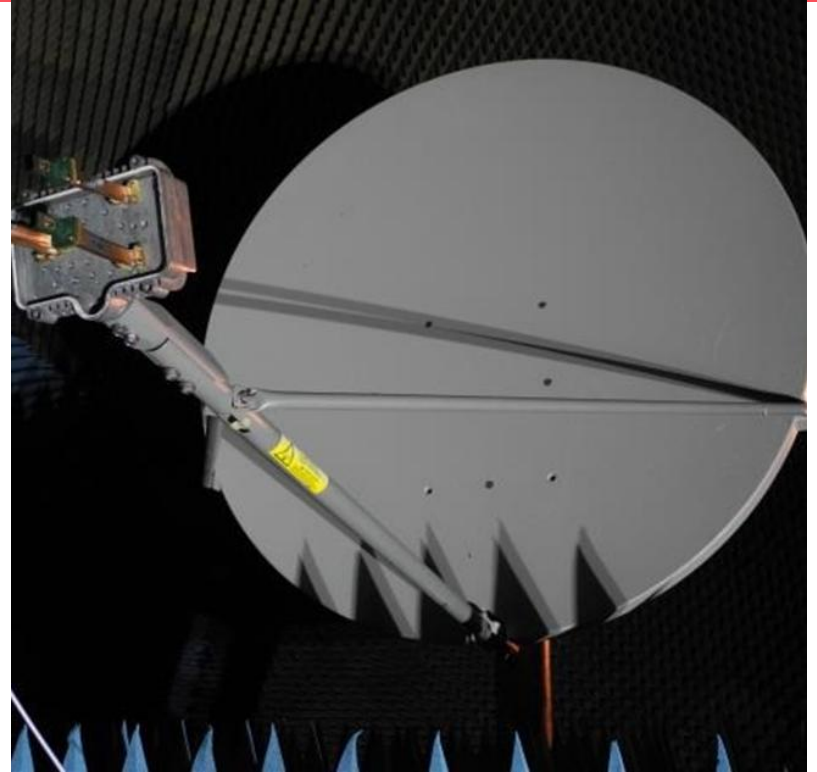
G/T : 22.8 dB/K at 19.70 GHz

HPA max : 4W maximum

Diameter : 1.2m

Weight :

Type Approved (EB-038)



Fixed - BROADBAND

Model 127 cm Ka band with Hughes Jupiter 1

Manufacturer : Skyware Global

Tx Frequency Band: 29.00 – 30.00 GHz

Rx Frequency Band : 19.20 – 20.20 GHz

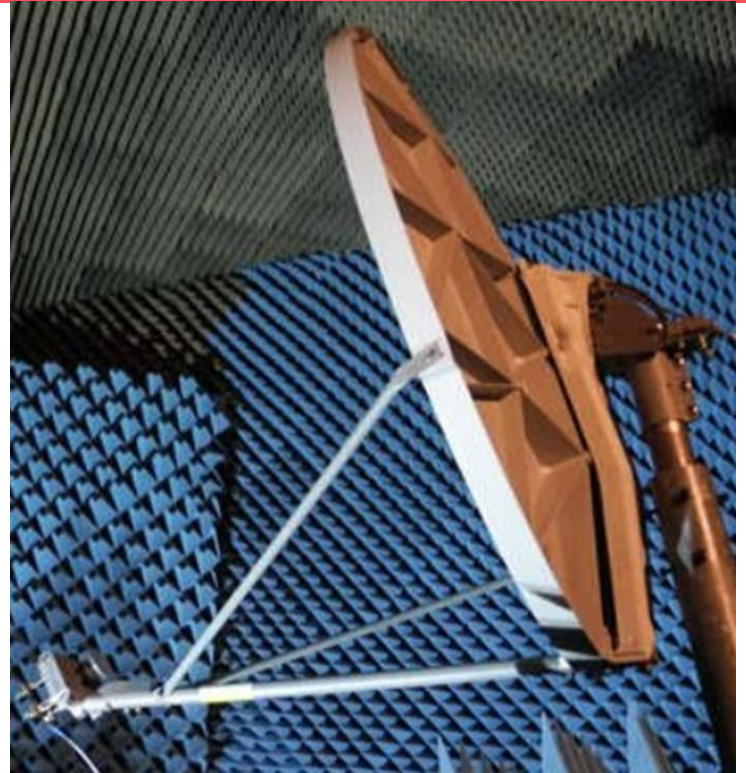
Tx Gain : 48.9 dBi

G/T : 23.12 dB/K at 19.70 GHz

HPA max : 1W maximum

Diameter : 1.2m

Type Approved (EB-039)



Fixed - BROADBAND

Model 127 cm Ka band with Hughes Jupiter 2

Manufacturer : Skyware Global

Tx Frequency Band: 29.00 – 30.00 GHz

Rx Frequency Band : 19.20 – 20.20 GHz

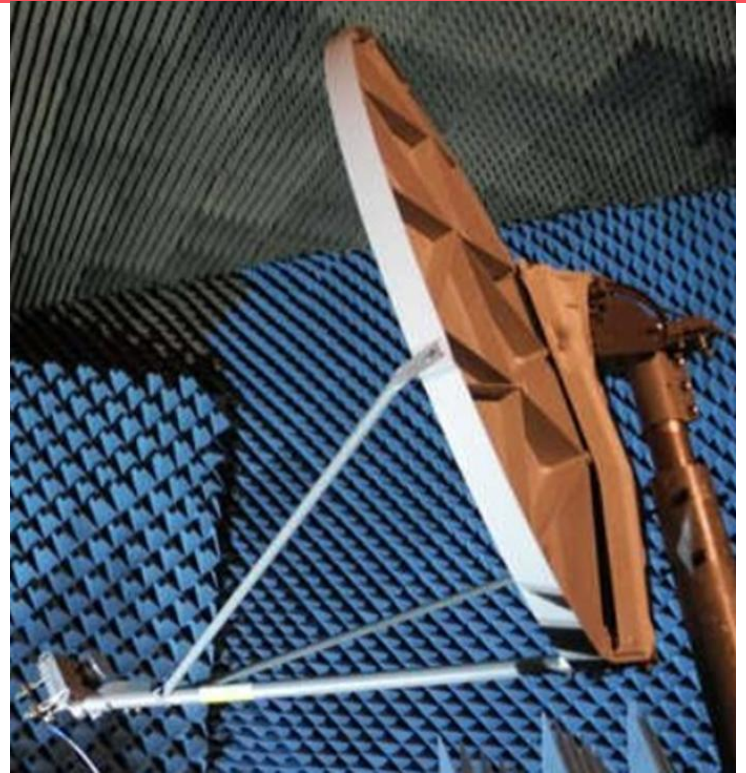
Tx Gain : 48.3 dBi

G/T : 22.5 dB/K at 19.70 GHz

HPA max : 2.5W maximum

Diameter : 1.2m

Type Approved (EB-040)





MARITIME ANTENNAS

Generic

Maritime - GENERIC

TracPhone V3

Manufacturer : KVH Industries, Inc.

Tx Frequency Band: 13.75 – 14.50 GHz

Rx Frequency Band : 11.70 – 12.75 GHz

Tx Gain : 33.2 dBi

HPA max : BUC 3W maximum

Diameter : 0.37 m

Weight : 11.3 kg

Characterized CH-MAR-KVH-037-553



Maritime - GENERIC

V60

Manufacturer : Intellian Technologies, Inc.

Tx Frequency Band: 13.75 – 14.50 GHz

Rx Frequency Band : 10.95 – 12.75 GHz

Tx Gain : 38.1 dBi

HPA max : BUC 8W maximum

Diameter : 0.60 m

Weight : 59.5 kg (radome included)

Characterized CH-MAR-ITL-060-545



Maritime - GENERIC

Supertrack Z6Mk2

Manufacturer : KNS Inc.

Tx Frequency Band: 13.75 – 14.50 GHz

Rx Frequency Band : 10.95 – 12.75 GHz

Tx Gain : 36.4 dBi

HPA max : BUC 16W maximum

Diameter : 0.60 m

Weight : 43 kg (radome included)

Characterized CH-MAR-KNS-060-551



Maritime - GENERIC

KVH-60 cm TV6

Manufacturer : KVH Industries, Inc.

Tx Frequency Band: 14.00 – 14.50 GHz

Rx Frequency Band : 11.70 – 12.75 GHz

Tx Gain : 36.6 dBi

Diameter : 0.60 m

Weight : 24.2 kg

Characterized CH-MAR-KVH-060-554



Maritime - GENERIC

COBHAM USAT24

Manufacturer : COBHAM Satcom, Sea Tel

Tx Frequency Band: 13.75 – 14.50 GHz

Rx Frequency Band : 10.95 – 12.75 GHz

Tx Gain : 37 dBi

Diameter : 0.60 m

Weight : 45 kg

Characterized CH-MAR-COB-060-567



Maritime - GENERIC

Seatel 2406 – END OF LIFE

Manufacturer : COBHAM Satcom, Sea Tel

Tx Frequency Band: 13.75 – 14.50 GHz

Rx Frequency Band : 10.95 – 12.75 GHz

Tx Gain : 37.2 dBi

Diameter : 0.60 m

Weight : 113 kg (radome included)

Characterized CH-MAR-COB-060-568



Maritime - GENERIC

MVA60

Manufacturer : MITSUBISHI ELECTRIC
CORPORATION

Tx Frequency Band: 13.75 – 14.50 GHz

Rx Frequency Band : 10.70 – 12.75 GHz

Tx Gain : 37.3 dBi

G/T : 15 dB/K

HPA max : BUC 8W maximum

Diameter : 0.62 m

Type Approved (EA-V060)

No available picture

Maritime - GENERIC

COBHAM Sailor 600 Ku

Manufacturer : COBHAM Satcom, Sea Te

Tx Frequency Band: 13.75 – 14.50 GHz

Rx Frequency Band : 10.70 - 12.75 GHz

Tx Gain : 37.6 dBi

G/T : 15.9 dB/K

HPA max : BUC 6W maximum

Diameter : 0.65 m

Weight : 125 kg (radome included)

Characterized CH-MAR-COB-065-576



Maritime - GENERIC

Navisystem MST 75

Manufacturer : NAVISYSTEM

Tx Frequency Band: 13.75 – 14.50 GHz

Rx Frequency Band : 10.95 – 12.75 GHz

Tx Gain : 36 dBi

Diameter : 0.70 m

Weight : 38 kg

Characterized CH-MAR-NAV-070-560



Maritime - GENERIC

MAC ISA 75

Manufacturer : MICRO ADVANCED
COMMUNICATIONS S.R.L.

Tx Frequency Band: 13.75 – 14.50 GHz

Rx Frequency Band : 10.95 – 12.75 GHz

Tx Gain : 36.5 dBi

Diameter : 0.75 m

Characterized CH-MAR-MAC-075-555

No available picture

Maritime - GENERIC

Seatel 3011W – **END OF LIFE**

Manufacturer : COBHAM Satcom, Sea Tel

Tx Frequency Band: 13.75 – 14.50 GHz

Rx Frequency Band : 10.70 – 12.75 GHz

Tx Gain : 38.8 dBi

G/T : 16.7 dB/K

HPA max : BUC 4W, 8W, 16W, 20W & 40W
maximum

Diameter : 0.75 m

Weight : 82 kg (radome included)

Characterized CH-MAR-COB-075-569



Maritime - GENERIC

CommSat80

Manufacturer : SITEP Italia Spa

Tx Frequency Band: 13.75 – 14.50 GHz

Rx Frequency Band : 10.95 – 12.75 GHz

Tx Gain : 38.1 dBi

Diameter : 0.80 m

Characterized CH-MAR-SIT-080-575



Maritime - GENERIC

Navisystem 85

Manufacturer : NAVISYSTEM

Tx Frequency Band: 13.75 – 14.50 GHz

Rx Frequency Band : 10.95 – 12.75 GHz

Tx Gain : 37.8 dBi

Diameter : 0.81 m

Characterized CH-MAR-NAV-081-561



Maritime - GENERIC

V80G

Manufacturer : Intellian Technologies, Inc.

Tx Frequency Band: 13.75 – 14.50 GHz

Rx Frequency Band : 10.95 – 12.75 GHz

Tx Gain : 39.5 dBi

G/T : 16 dB/K

HPA max : BUC 8W maximum

Diameter : 0.83 m

Weight : 90.4 kg (radome included)

Characterized CH-MAR-ITL-083-546



Maritime - GENERIC

COBHAM Sailor 800 VSAT 407008A-00500

Manufacturer : COBHAM Satcom, Sea Tel

Tx Frequency Band: 13.75 – 14.50 GHz

Rx Frequency Band : 10.70 - 12.75 GHz

Tx Gain : 40.0 dBi

G/T : 18.2 dB/K

HPA max : BUC 6W maximum

Diameter : 0.83 m

Weight : 125 kg (radome included)

Characterized CH-MAR-COB-083-577



Maritime - GENERIC

B85

Manufacturer : JOTRON AS

Tx Frequency Band: 13.75 – 14.50 GHz

Rx Frequency Band : 10.95 – 12.75 GHz

Tx Gain : 40.33 dBi

G/T : 16.2 dB/K

HPA max : BUC 8W maximum

Diameter : 0.85 m

Weight : 89 kg (radome included)

Characterized CH-MAR-JOT-085-550



Maritime - GENERIC

Supertrack Z8

Manufacturer : KNS Inc.

Tx Frequency Band: 13.75 – 14.50 GHz

Rx Frequency Band : 10.95 – 12.75 GHz

Tx Gain : 38.3 dBi

Diameter : 0.85 m

Weight : 87 kg (radome included)

Characterized CH-MAR-KNS-085-552



Maritime - GENERIC

Seatel 3612 – END OF LIFE

Manufacturer : COBHAM Satcom, Sea Tel
Tx Frequency Band: 13.75 – 14.50 GHz
Rx Frequency Band : 10.70 – 12.75 GHz
Tx Gain : 40.6 dBi
G/T : 18.1 dB/K
HPA max : BUC 4W, 8W, 16W & 40W maximum
Diameter : 0.90 m
Weight : 132 kg (radome included)
Characterized CH-MAR-COB-090-570



Maritime - GENERIC

0.9m DSi9-Ku Pro

Manufacturer : EPAK GmbH

Tx Frequency Band: 13.75 – 14.50 GHz

Rx Frequency Band : 10.70 – 12.75 GHz

Tx Gain : 39 dBi

G/T : 17.0 dB/K

Diameter : 0.90 m

Weight : 75 kg (radome included)

Characterized CH-MAR-EPK-090-676



Maritime - GENERIC

Navisystem MST 95

Manufacturer : NAVISYSTEM

Tx Frequency Band: 13.75 – 14.50 GHz

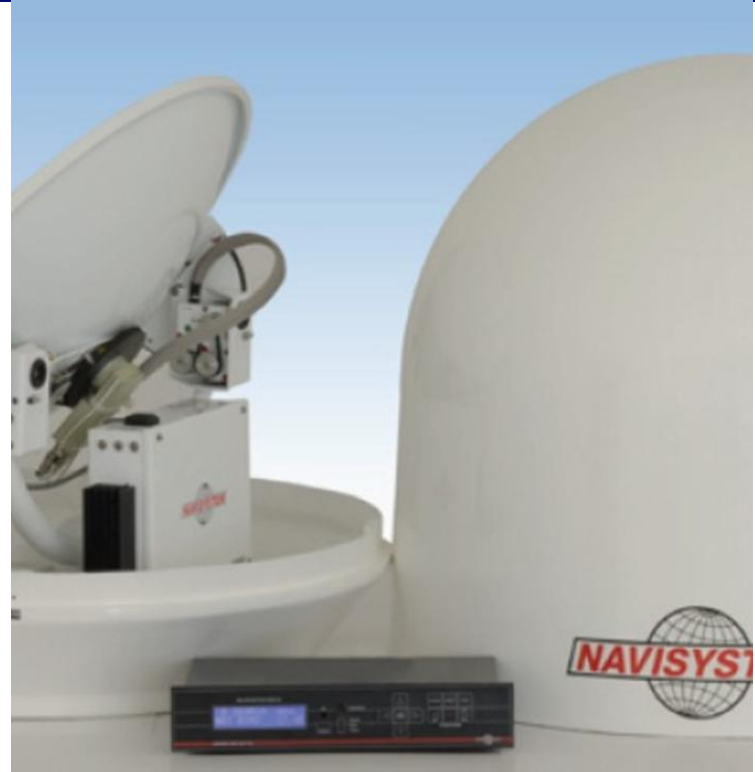
Rx Frequency Band : 10.95 – 12.75 GHz

Tx Gain : 39.3 dBi

Diameter : 0.95m

Weight : 48 kg

Characterized CH-MAR-NAV-095-562



Maritime - GENERIC

Ku Mate

Manufacturer : MITSUBISHI ELECTRIC CORPORATION

Tx Frequency Band: 13.75 – 14.50 GHz

Rx Frequency Band : 10.70 – 12.75 GHz

Tx Gain : 40.9 dBi

G/T : 18.4 dB/K

HPA max : BUC 8W maximum

Diameter : 1 m

Type Approved (EA-V056)



Maritime - GENERIC

Seatel 4006 – END OF LIFE

Manufacturer : COBHAM Satcom, Sea Tel

Tx Frequency Band: 13.75 – 14.50 GHz

Rx Frequency Band : 10.95 – 12.75 GHz

Tx Gain : 40.6 dBi

Diameter : 1 m

Weight : 136 kg (radome included)

Characterized CH-MAR-COB-100-571



Maritime - GENERIC

Seatel 4009

Manufacturer : COBHAM Satcom, Sea Tel

Tx Frequency Band: 13.75 – 14.50 GHz

Rx Frequency Band : 10.95 – 12.75 GHz

Tx Gain : 40.6 dBi

Diameter : 1 m

Weight : 147 kg (radome included)

Characterized CH-MAR-COB-100-572



Maritime - GENERIC

V100

Manufacturer : Intellian Technologies, Inc.

Tx Frequency Band: 13.75 – 14.50 GHz

Rx Frequency Band : 10.70 – 12.75 GHz

Tx Gain : 41.6 dBi

G/T : 19.6 dB/K

HPA max : BUC 8W maximum

Diameter : 1.03 m

Weight : 128 kg (radome included)

Characterized CH-MAR-ITL-103-547



Maritime - GENERIC

COBHAM Sailor 900 Ku

Manufacturer : COBHAM Satcom, Sea Tel

Tx Frequency Band: 13.75 - 14.50 GHz

Rx Frequency Band : 10.70 - 12.75 GHz

Tx Gain : 40 dBi

G/T : 18.3 dB/K

Diameter : 1.03 m

Characterized (EB-056)



Maritime - GENERIC

SAILOR 900 VSAT

407009B-00500 and 407009E-00500 (Ku)

Manufacturer : COBHAM Satcom, Sea Tel

Tx Frequency Band: 13.75 – 14.50 GHz

Rx Frequency Band : 10.70 - 12.75 GHz

Tx Gain : 41.1 dBi

G/T : 19.9 dB/K

HPA max : BUC 8W maximum

Diameter : 1.03 m

Weight : 126 kg (radome included)

Characterized CH-MAR-COB-103-578



Maritime - GENERIC

V110

Manufacturer : Intellian Technologies, Inc.
Tx Frequency Band: 13.75 – 14.50 GHz
Rx Frequency Band : 12.50 – 12.75 GHz
Tx Gain : 41.7 dBi
HPA max : BUC 8W maximum
Diameter : 1.05 m
Weight : 139.5 kg (radome included)
Characterized CH-MAR-ITL-105-548



Maritime - GENERIC

v100NX (V5-11-UXXX)

Manufacturer : Intellian Technologies, Inc.

Tx Frequency Band: 13.75 – 14.50 GHz

Rx Frequency Band : 10.70 – 12.75 GHz

Tx Gain : 41.6 dBi

G/T : 20.04 dB/K

HPA max : BUC 25W maximum

Diameter : 1.05 m

Weight : 113 kg (radome included)

Characterized CH-MAR-ITL-105-549



Maritime - GENERIC

COBHAM Sailor 900 VSAT
w/ BUC 407009A-00500

Manufacturer : COBHAM Satcom, Sea Tel
Tx Frequency Band: 13.75 – 14.50 GHz
Rx Frequency Band : 10.70 - 12.75 GHz
Tx Gain : 41.9 dBi
G/T : 19.9 dB/K
HPA max : BUC 8W maximum
Diameter : 1.05 m
Characterized CH-MAR-COB-105-579

No available picture

Maritime - GENERIC

ORBIT OrSat AL-7103-Ku Mk II

Manufacturer : ORBIT Communication Systems Ltd

Tx Frequency Band: 13.75 – 14.50 GHz

Rx Frequency Band : 10.95 – 12.75 GHz

Tx Gain : 42.3 dBi

HPA max : BUC from 4W, 8W, 16W to 20W maximum

Diameter : 1.15 m

Type Approved (EA-A033)



Maritime - GENERIC

ORBIT OceanTRx4-500 (Ku)

Manufacturer : ORBIT Communication Systems Ltd

Tx Frequency Band: 13.75 – 14.50 GHz

Rx Frequency Band : 10.70 – 12.75 GHz

Tx Gain : 41.9 dBi

G/T : 19.4 dB/K

HPA max : BUC 8W, 16W, 25W and 40W maximum

Diameter : 1.15 m

Weight : 215 kg (radome included)

Characterized CH-MAR-ORB-115-565



Maritime - GENERIC

SX 5410 Ku Mate

Manufacturer : MITSUBISHI ELECTRIC
CORPORATION

Tx Frequency Band: 13.75 – 14.50 GHz

Rx Frequency Band : 10.70 – 12.75 GHz

Tx Gain : 41.9 dBi

G/T : 20.5 dB/K

HPA max : BUC 8W maximum

Diameter : 1.2 m

Type Approved (EA-V059)

No available picture

Maritime - GENERIC

1.2m Ku II

Manufacturer : C2SAT communications AB

Tx Frequency Band: 13.75 – 14.50 GHz

Rx Frequency Band : 10.70 – 12.75 GHz

Tx Gain : 42.2 dBi

G/T : 19.4 dB/K

HPA max : BUC 8W maximum

Diameter : 1.2 m

Characterized CH-MAR-C2S-120-544



Maritime - GENERIC

5009 StdM Mk2

Manufacturer : Cobham SATCOM, Sea Tel
Products

Tx Frequency Band: 13.75 – 14.50 GHz

Rx Frequency Band : 10.70 – 12.75 GHz

Tx Gain : 42.4 dBi

G/T : 19.3 dB/K

HPA max : BUC from 4W, 8W, 16W to 40W
maximum

Diameter : 1.2 m

Weight : 158 kg (radome included)

Type Approved (EA-V058)



Maritime - GENERIC

Seatel 6012

Manufacturer : Cobham SATCOM, Sea Tel
Products

Tx Frequency Band: 13.75 – 14.50 GHz

Rx Frequency Band : 10.70 – 12.75 GHz

Tx Gain : 44.3 dBi

G/T : 21.9 dB/K

HPA max : BUC from 4W, 8W, 16W to 40W
maximum

Diameter : 1.5 m

Weight : 158 kg (radome included)

Characterized CH-MAR-COB-150-574



Maritime - GENERIC

ORBIT OceanTRx7-C

Manufacturer : ORBIT Communication Systems Ltd

Tx Frequency Band: 5.850 – 6.425 GHz

Rx Frequency Band : 3.625 – 4.2 GHz

Tx Gain : 39.2 dBi

G/T : 16.5 dB/K

HPA max : BUC 8W, 16W, 25W, 40W and 50W maximum

Diameter : 201cm V x 220cm H

Weight : 590 kg (radome included)



Maritime - GENERIC

ORBIT AL-7107

Manufacturer : ORBIT Communication Systems
Ltd

Tx Frequency Band: 5.85 – 6.425 GHz

Rx Frequency Band : 3.625 – 4.20 GHz

Tx Gain : 38.3 dBi

G/T : 17.9 dB/K

HPA max : BUC 40W maximum

Diameter : 201x220 cm

Characterized CH-MAR-ORB-220-564



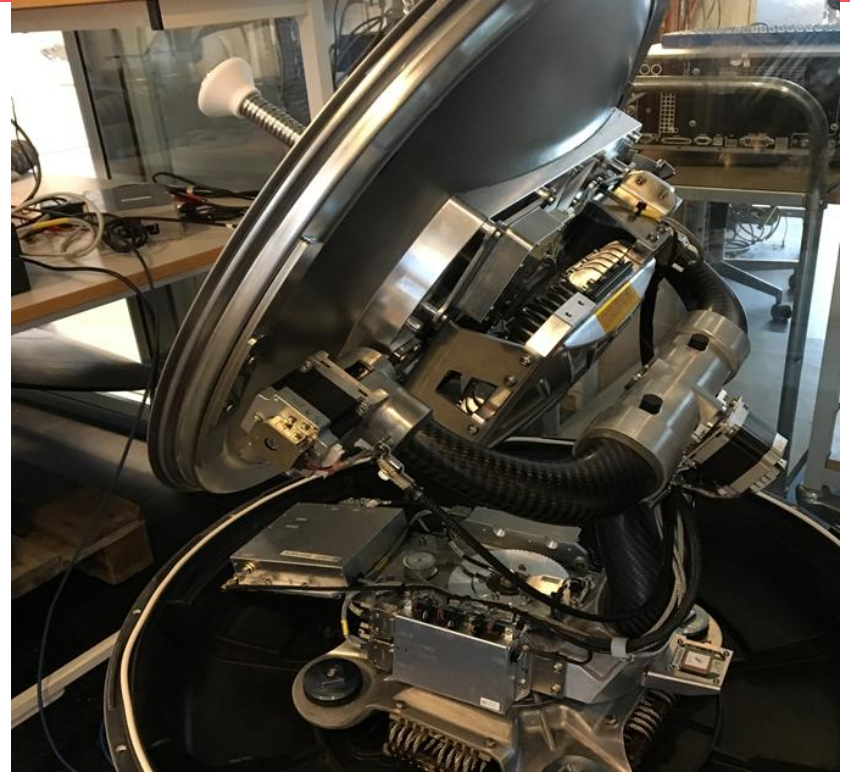
MARITIME ANTENNAS

Broadband

Maritime - BROADBAND

COBHAM Sailor 600 Ka
Equipped with Viasat PTRIA

Manufacturer : COBHAM Satcom, Sea Tel
Tx Frequency Band: 29.50 - 30.00 GHz
Rx Frequency Band : 19.70 - 20.20 GHz
Tx Gain : 43.0 dBi
G/T : 15.6 dB/K
HPA max : BUC 2W maximum
Diameter : 0.65 m
Characterized (EB-051)



Maritime - BROADBAND

COBHAM USAT30 Ka
with Integrated ViaSat TRIA

Manufacturer : COBHAM Satcom, Sea Tel

Tx Frequency Band: 29.50 - 30.00 GHz

Rx Frequency Band : 19.70 - 20.20 GHz

Tx Gain : 43.9 dBi

G/T : 16.7 dB/K

HPA max : BUC 2W maximum

Diameter : 0.75 m

Weight : 60 kg

Characterized (EB-029)



Maritime - BROADBAND

Skytech BB75KA 470NM-001-KA075-E1
with Integrated ViaSat mTRIA

Manufacturer : Skytech Italia SRL

Tx Frequency Band: 29.50 - 30.00 GHz

Rx Frequency Band : 19.70 - 20.20 GHz

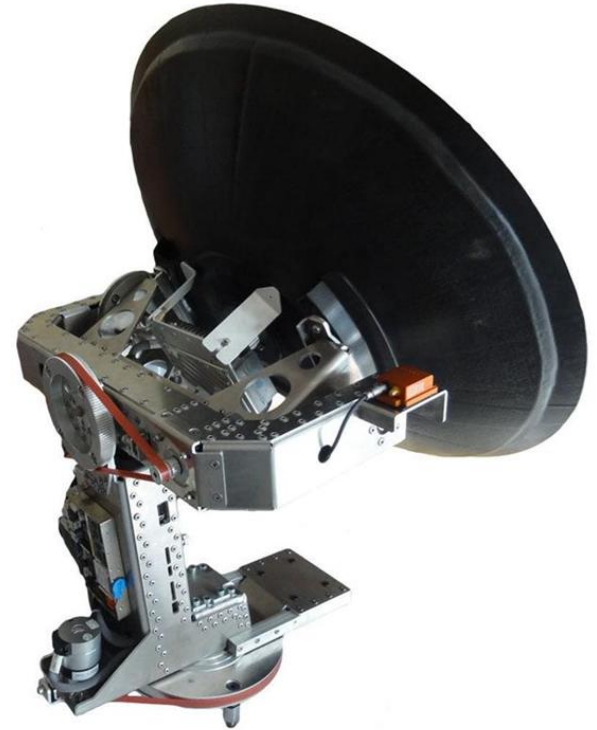
Tx Gain : 44 dBi

G/T : 17.0 dB/K

HPA max : BUC 2W maximum

Diameter : 0.75 m – without radome

Characterized (EB-026)



Maritime - BROADBAND

COBHAM Sailor 900 Ka
Equipped with Viasat PTRIA

Manufacturer : COBHAM Satcom, Sea Tel
Tx Frequency Band: 29.50 - 30.00 GHz
Rx Frequency Band : 19.70 - 20.20 GHz
Tx Gain : 47.1 dBi
G/T : 19.7 dB/K
HPA max : BUC 2W maximum
Diameter : 1.03 m
Characterized (EB-052)





AIRCRAFT ANTENNAS

Generic

Aircraft - GENERIC

D-ATKS Ku band Satcom
37cm antenna (Ku)

Manufacturer : IPR – Italiana Ponti Radio SRL
Tx Frequency Band: 13.75 – 14.50 GHz
Rx Frequency Band : 10.70 – 12.75 GHz
Tx Gain : 31.4dBi
G/T : 10.0 dB/K
Diameter : 0.37 m
HPA max : BUC 60W maximum
Characterized CH-AIR-IPR-037-580



Aircraft - GENERIC

ViaSat VR-18C (Ku)

Manufacturer : ViaSat Inc

Tx Frequency Band: 14.00 – 14.50 GHz

Rx Frequency Band : GHz

Tx Gain : dBi

G/T : 11.6 dB/K

Diameter : 0.44 m

Weight : 12 kg

Characterized CH-AIR-VIA-044-484



INTERACTIVE SATELLITE TERMINALS

Interactive Satellite Terminals

Fuba 60 cm – **END OF LIFE**

w/ feedhorn Azure Shine & Smart LNB EGATEL 2.5

Manufacturer : TELE SYSTEM DIGITAL SRL

Tx Frequency Band: 13.75 – 14.50 GHz

Rx Frequency Band : 10.70 – 12.75 GHz

Tx Gain : 37.2 dBi

G/T : 16 dB/K

HPA max : Smart LNB 1W

Diameter : 0.60 m

Characterized (EI-003)

No available picture

Interactive Satellite Terminals

Fuba 80 – **END OF LIFE**

w/ feedhorn Azure Shine & Smart LNB EGATEL 2.5

Manufacturer : TELE SYSTEM DIGITAL SRL

Tx Frequency Band: 13.75 – 14.50 GHz

Rx Frequency Band : 10.70 – 12.75 GHz

Tx Gain : 38.6 dBi

G/T : 16 dB/K

HPA max : Smart LNB 1W

Diameter : 0.72 m

Weight : 7.95 kg

Characterized (EI-004)



Interactive Satellite Terminals

Emme Esse 74 cm – **END OF LIFE**
w/ Smart LNB EGATEL 2.5

Manufacturer : EMME ESSE SpA
Tx Frequency Band: 13.75 – 14.50 GHz
Rx Frequency Band : 10.70 – 12.75 GHz
Tx Gain : 38.2 dBi
G/T : 16.8 dB/K
HPA max : Smart LNB 1W
Diameter : 0.74m H x 0.80m V
Characterized (EI-005)



Interactive Satellite Terminals

Sinuta 72SA – **END OF LIFE**
w/ Smart LNB AYECKA

Manufacturer : SINUTA

Tx Frequency Band: 13.75 – 14.50 GHz

Rx Frequency Band : 10.70 – 12.75 GHz

Tx Gain : 38.9 dBi

G/T : 16.6 dB/K

HPA max : Smart LNB 1W

Diameter : 0.75m H x 0.80m V

Characterized (EI-006)



Interactive Satellite Terminals

Sinuta VF075SMART01S – **END OF LIFE**
w/ Smart LNB EGATEL 2.5

Manufacturer : SINUTA

Tx Frequency Band: 13.75 – 14.50 GHz

Rx Frequency Band : 10.70 – 12.75 GHz

Tx Gain : 38.8 dBi

G/T : 16.8 dB/K

HPA max : Smart LNB 1W

Diameter : 0.75m H x 0.80m V

Characterized (EI-002)



Interactive Satellite Terminals

Winegard DS-7401 – **END OF LIFE**
w/ Smart LNB EGATEL 2.5

Manufacturer : Egatel
Tx Frequency Band: 13.75 – 14.50 GHz
Rx Frequency Band : 10.70 – 12.75 GHz
Tx Gain : 38.25 dBi
G/T : 16.7 dB/K
HPA max : Smart LNB 1W
Diameter : 0.91m H x 0.63m V
Characterized (EI-001)

No available picture

Interactive Satellite Terminals

GV-A0XX-6200-00 – **END OF LIFE**

with Feed Model: 07-0705- 4007, plus OMT v 3.0
from Egatel

Manufacturer : Azure Shine International Inc.

Tx Frequency Band: 13.75 – 14.50 GHz

Rx Frequency Band : 10.70 – 12.50 GHz

Tx Gain : 41.7 dBi

G/T : 13.5 dB/K

HPA max : Smart LNB 1W

Diameter : 1 m

Characterized (EI-007)

No available picture

